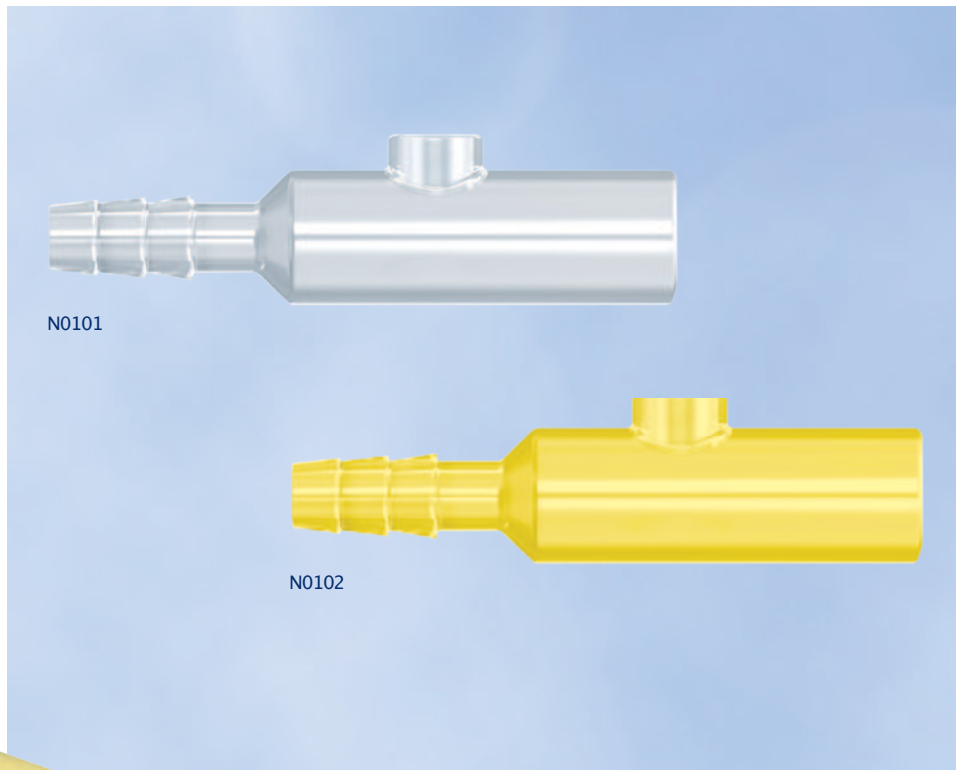


Neotech Meconium Aspirator[®]

Meconium Removal Device



FEATURES AND BENEFITS

- Designed to eliminate mouth suctioning of meconium
- Suction control port for intermittent suctioning
- Attaches to most endotracheal tubes
- Featured in the Textbook of Neonatal Resuscitation¹
- N0102 (yellow) allows for easier identification
- Not made with natural rubber latex or plasticizer DEHP
- Individually packaged

1) Textbook of Neonatal Resuscitation, 6th Edition (2011) pg. 43, Figure 2.7

Cat No.	Item	Qty/Unit
N0101	Clear	40/box
N0102	Yellow	40/box

Neotech Meconium Aspirator[®]

Meconium Removal Device

INDICATIONS FOR USE

The Neotech Meconium Aspirator is intended for use as a suction device to aspirate meconium from a newborn's upper airway.

DIRECTIONS FOR USE

Step 1

Connect barbed end of Neotech Meconium Aspirator to suction line.

Step 2

Set the suction pressure at 80mmHg or less.

Step 3

Intubate patient with proper ET tube.

Step 4

Connect 15mm I.D. end of Neotech Meconium Aspirator to 15mm O.D. ET tube adapter.

Step 5

Block thumb port with thumb to begin suctioning.

Step 6

Suction for two seconds or less at a time until meconium is full removed. Suction meconium intermittently.

Note: For intermittent suctioning, unblock thumb port to stop suctioning. Block thumb port again to continue suctioning.

Step 7

Continue to suction while ET tube is withdrawn.

Step 8

Discard after use.

GENERAL INFORMATION

Product Material

Acrylic

Made with natural rubber latex: No

Made with plasticizer DEHP: No

Consult MSDS for complete material information.

Size

Length: 83 mm

ET tube connection opening: 15 mm (I.D.)

Thumb port opening: 10 mm (I.D.)

Packaging

Individually packaged: Yes

Package type: Polyethylene bag

Dispenser box: Yes

Visit neotechproducts.com for the most up-to-date information or to download the Material Safety Data Sheet (MSDS).

Polyethylene bags are biodegradable. Boxes are printed with environmentally friendly soy ink on recyclable material.

CAUTIONS & WARNINGS

Federal law restricts this device to sale by or on the order of a physician.

Single patient use only.

Pat Coakley
Medical 

Pat Coakley Medical Ltd

Units E3 E4 Network Enterprise Park

Kilcoole A63 H244 Co Wicklow

sales@patcoakleymedical.ie

Tel: +353 1 2018070

www.patcoakleymedical.ie

